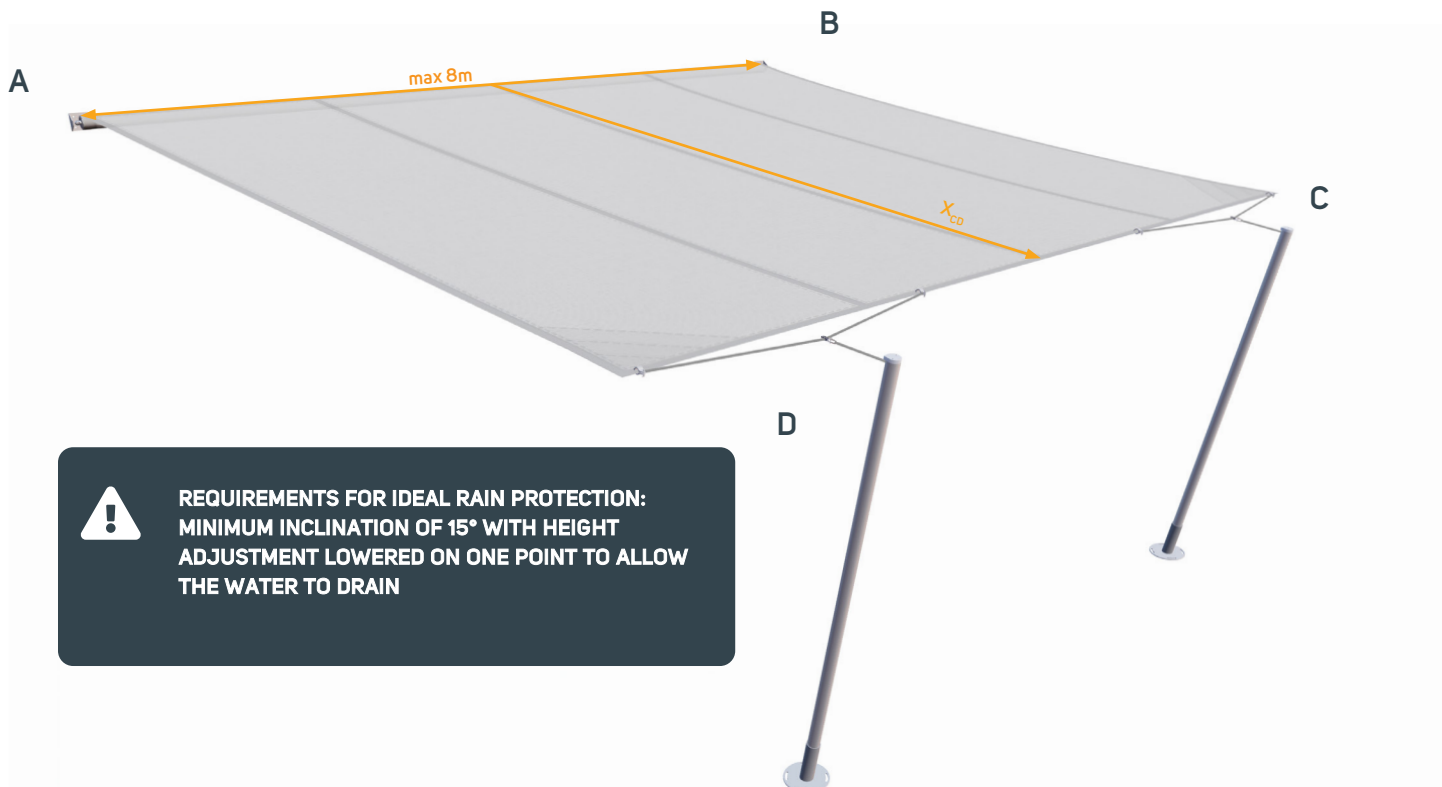


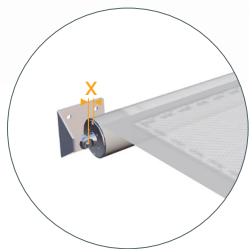
TECHNICAL INFO SHEET SOLIDAY-CS SQAURE

SOLIDAY CS offer sun and rain protection

**Height adjustment can be done on two points:
C | D**

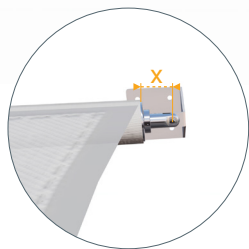


**⚠ REQUIREMENTS FOR IDEAL RAIN PROTECTION:
MINIMUM INCLINATION OF 15° WITH HEIGHT
ADJUSTMENT LOWERED ON ONE POINT TO ALLOW
THE WATER TO DRAIN**



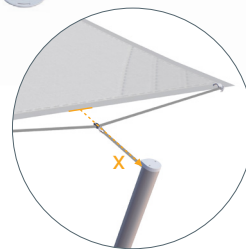
A

X = 30 mm distance hole center to shaft end



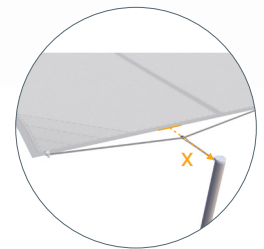
B

X = 80 mm distance hole center to shaft end (50 - 160mm)



C

Flexible Pylon Position
X = 1000-2000mm distance
Standard Pylon Position
X = 400-2000mm distance



D

Flexible Pylon Position
X = 1000-2000mm distance
Standard Pylon Position
X = 400-2000mm distance

Shaft length AB	Distance Out XCD	Sail Size
max 8m	max 7,1m	max 56m ²

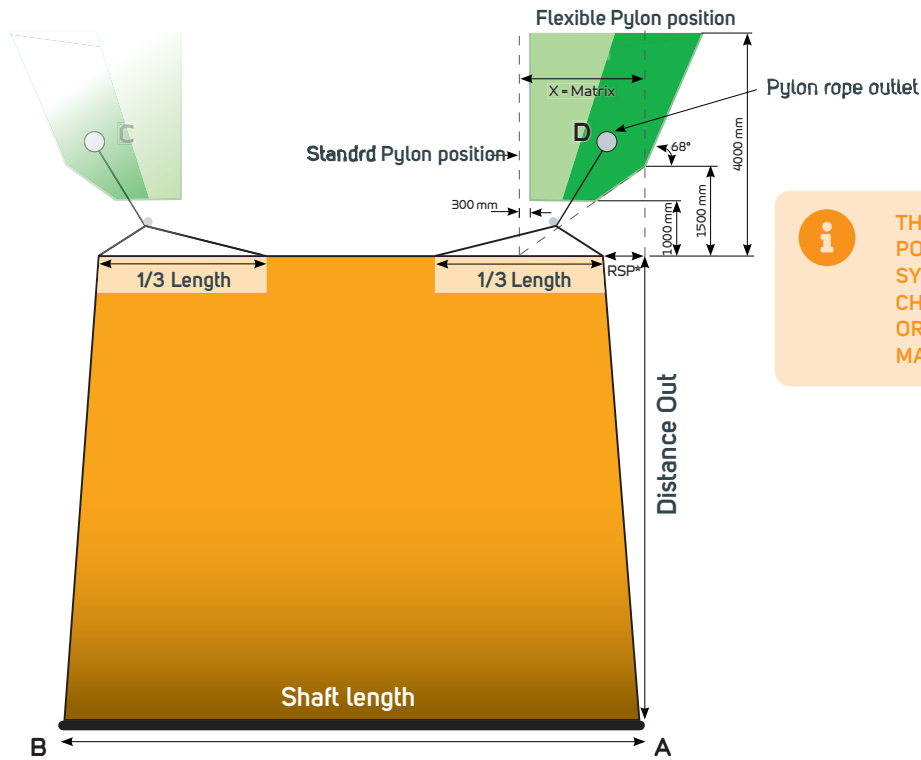
i *The specified measurements and dimensions are recommended guide values that have been defined taking into account the optimum stability and roll-up behaviour of the sunsail. Exceeding these recommended sizes is displayed as a warning/error in the SOLIDAY APP and can lead to impairments in these areas and negatively affect the functionality of the sunsail. Our office and field staff will be happy to answer your questions and provide support.*

TECHNICAL INFO SHEET SOLIDAY SYSTEM CS – FLEXIBLE PYLON POSITION

Shaft length CS – 2 to 8 m
(Shaft diameter 110 mm)



**PATENTED CS ROPE PULL
ATTENTION! POSITION IS DEFINED AS PYLON ROPE OUTLET**



THE FRONT MASTS SHOULD BE POSITIONED ALMOST SYMMETRICALLY. IT IS BEST TO CHOOSE EITHER THE LIGHT GREEN OR DARK GREEN AREA FOR BOTH MASTS.

Shaft length in mm

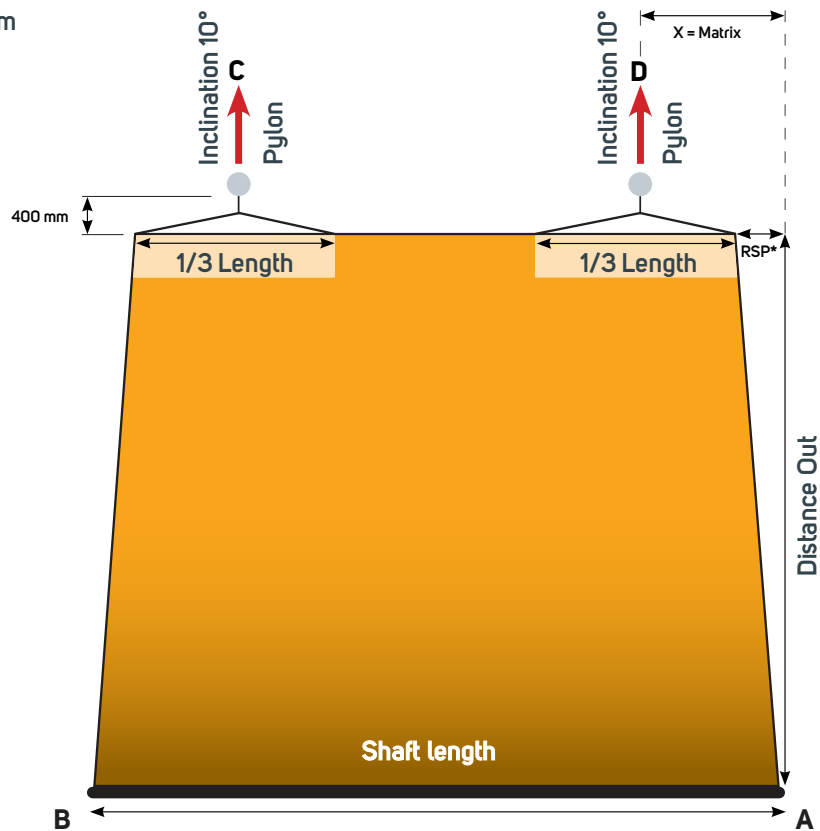
Auszug	2000	2500	3000	3500	4000	4500	5000	5500	6000	6500	7000	7500	8000	RSP
2000	510	593	677	760	843	927	1010	1093	1177	1260	1343	1427	1510	145
2250	522	605	689	772	855	939	1022	1105	1189	1272	1355	1439	1522	163
2500	534	617	701	784	867	951	1034	1117	1201	1284	1367	1451	1534	181
2750	546	630	713	796	880	963	1046	1130	1213	1296	1380	1463	1546	199
3000	558	642	725	808	892	975	1058	1142	1225	1308	1392	1475	1558	217
3250	570	654	737	820	904	987	1070	1154	1237	1320	1404	1487	1570	236
3500	582	666	749	832	916	999	1082	1166	1249	1332	1416	1499	1582	254
3750	594	678	761	844	928	1011	1094	1178	1261	1344	1428	1511	1594	272
4000	607	690	773	857	940	1023	1107	1190	1273	1357	1440	1523	1607	290
4250	619	702	785	869	952	1035	1119	1202	1285	1369	1452	1535	1619	308
4500	631	714	797	881	964	1047	1131	1214	1297	1381	1464	1547	1631	326
4750	643	726	809	893	976	1059	1143	1226	1309	1393	1476	1559	1643	344
5000	655	738	822	905	988	1072	1155	1238	1322	1405	1488	1572	1655	362
5250	667	750	834	917	1000	1084	1167	1250	1334	1417	1500	1584	1667	380
5500	679	762	846	929	1012	1096	1179	1262	1346	1429	1512	1596	1679	399
5750	691	774	858	941	1024	1108	1191	1274	1358	1441	1524	1608	1691	417
6000	703	787	870	953	1037	1120	1203	1287	1370	1453	1537	1620	1703	435
6250	715	799	882	965	1049	1132	1215	1299	1382	1465	1549	1632	1715	453
6500	727	811	894	977	1061	1144	1227	1311	1394	1477	1561	1644	1727	471
6750	739	823	906	989	1073	1156	1239	1323	1406	1489	1573	1656	1739	489
7000	751	835	918	1001	1085	1168	1251	1335	1418	1501	1585	1668	1751	507

*Sail shortening compared to shaft length

TECHNICAL INFO SHEET

SOLIDAY SYSTEM CS – STADARD PYLONPOSITION

Shaft length CS – 2 to 8 m
(Shaft diameter 110 mm)



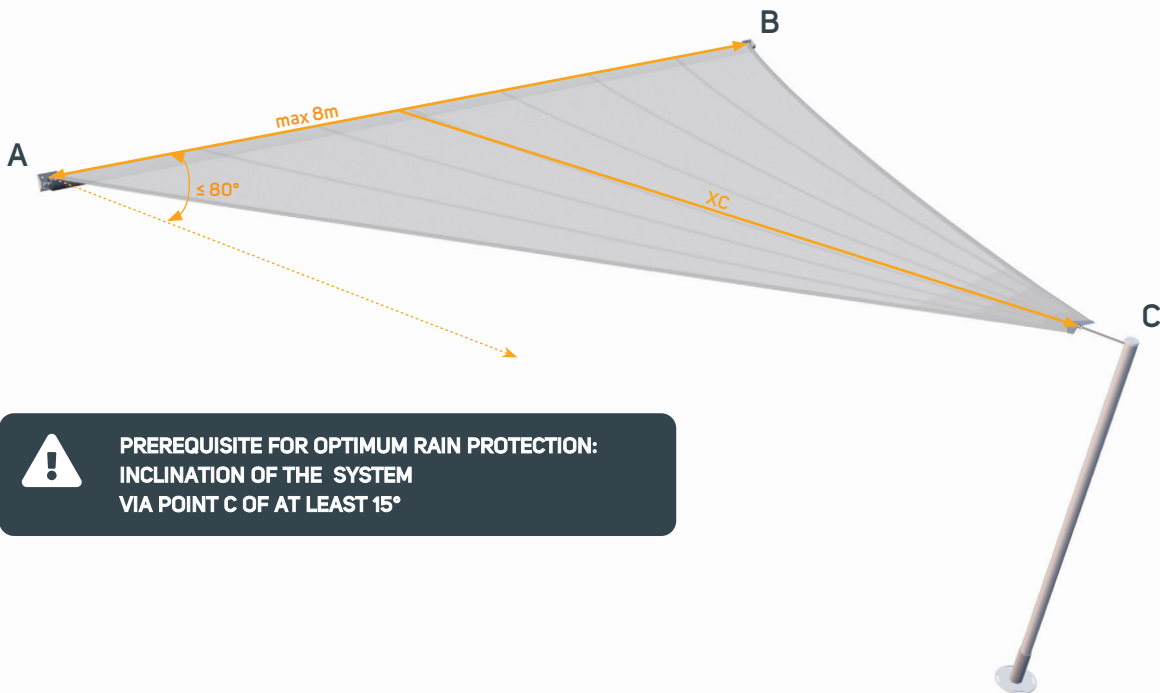
Shaft length in mm														
Auszug	2000	2500	3000	3500	4000	4500	5000	5500	6000	6500	7000	7500	8000	RSP
2000	510	593	677	760	843	927	1010	1093	1177	1260	1343	1427	1510	145
2250	522	605	689	772	855	939	1022	1105	1189	1272	1355	1439	1522	163
2500	534	617	701	784	867	951	1034	1117	1201	1284	1367	1451	1534	181
2750	546	630	713	796	880	963	1046	1130	1213	1296	1380	1463	1546	199
3000	558	642	725	808	892	975	1058	1142	1225	1308	1392	1475	1558	217
3250	570	654	737	820	904	987	1070	1154	1237	1320	1404	1487	1570	236
3500	582	666	749	832	916	999	1082	1166	1249	1332	1416	1499	1582	254
3750	594	678	761	844	928	1011	1094	1178	1261	1344	1428	1511	1594	272
4000	607	690	773	857	940	1023	1107	1190	1273	1357	1440	1523	1607	290
4250	619	702	785	869	952	1035	1119	1202	1285	1369	1452	1535	1619	308
4500	631	714	797	881	964	1047	1131	1214	1297	1381	1464	1547	1631	326
4750	643	726	809	893	976	1059	1143	1226	1309	1393	1476	1559	1643	344
5000	655	738	822	905	988	1072	1155	1238	1322	1405	1488	1572	1655	362
5250	667	750	834	917	1000	1084	1167	1250	1334	1417	1500	1584	1667	380
5500	679	762	846	929	1012	1096	1179	1262	1346	1429	1512	1596	1679	399
5750	691	774	858	941	1024	1108	1191	1274	1358	1441	1524	1608	1691	417
6000	703	787	870	953	1037	1120	1203	1287	1370	1453	1537	1620	1703	435
6250	715	799	882	965	1049	1132	1215	1299	1382	1465	1549	1632	1715	453
6500	727	811	894	977	1061	1144	1227	1311	1394	1477	1561	1644	1727	471
6750	739	823	906	989	1073	1156	1239	1323	1406	1489	1573	1656	1739	489
7000	751	835	918	1001	1085	1168	1251	1335	1418	1501	1585	1668	1751	507

*Sail shortening compared to shaft length

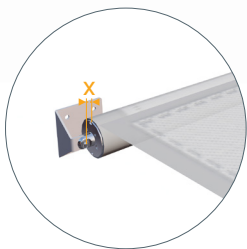
TECHNICAL INFO SHEET SOLIDAY-CS TRIANGULAR

SOLIDAY CS offers sun and rain protection.

Height adjustment possible on one Point:
Point C

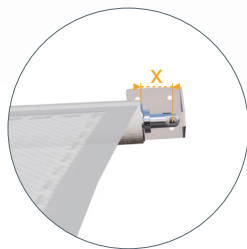


**! PREREQUISITE FOR OPTIMUM RAIN PROTECTION:
INCLINATION OF THE SYSTEM
VIA POINT C OF AT LEAST 15°**



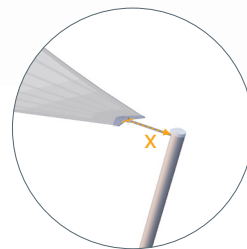
A

X = 30 mm distance hole center to shaft end



B

X = 80 mm distance hole center to shaft end (50 - 160mm)



C

Standard Pylon position
X = 200-4000mm distance

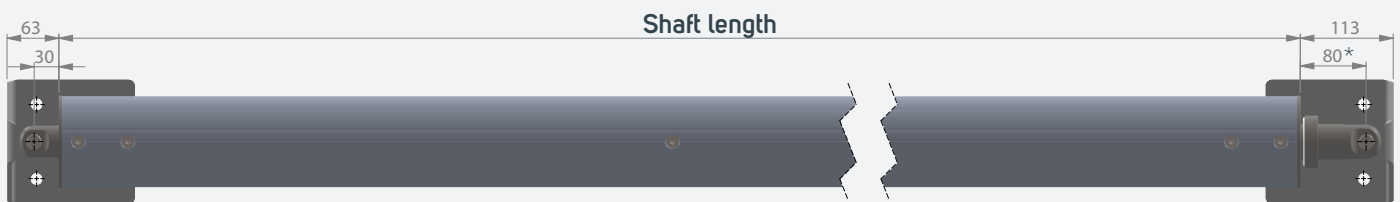
Shaft length AB	Distance Out XCD	Sail size	Ratio AC: BC
max 8m	max 7,1m	max 28,4m ²	max 1:2



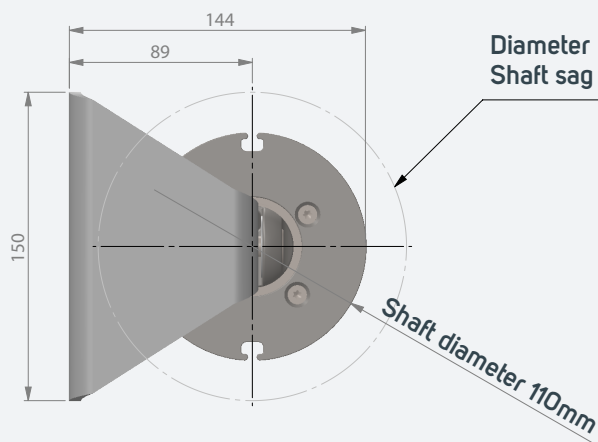
The specified measurements and dimensions are recommended guide values that have been defined taking into account the optimum stability and roll-up behaviour of the sunsail. Exceeding these recommended sizes is displayed as a warning/error in the SOLIDAY APP and can lead to impairments in these areas and negatively affect the functionality of the sunsail. Our office and field staff will be happy to answer your questions and provide support.

TECHNICAL INFO SHEET

SOLIDAY-CS SHAFT DIMNSIONS



Frontal view



Side view

Diameter incl. sail cloth up to Ø150mm.
Shaft sag was not taken into account.

*Ideal distance



THIS DISTANCE CAN VARY DUE TO TEMPERATURE FLUCTUATIONS AND FORCES ACTING ON THE SYSTEM. THE FLOATING BEARING HAS A RANGE OF 50 TO 160 MM. IT IS STRONGLY RECOMMENDED TO PLAN THE DISTANCE WITH THE IDEAL DIMENSION IN ORDER TO AVOID DAMAGE AND IMPAIRMENT OF THE SYSTEM.

TECHNICAL INFO SHEET

SOLIDAY CS - HORIZONTAL DROPPOLE USAGE

