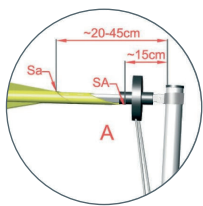
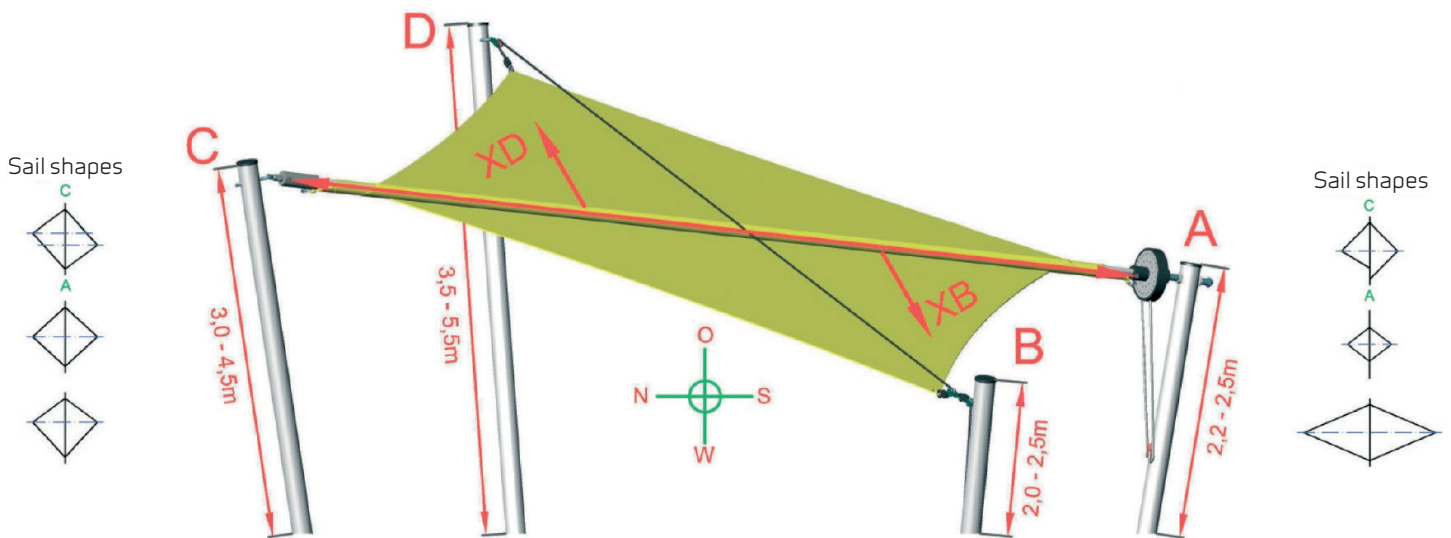


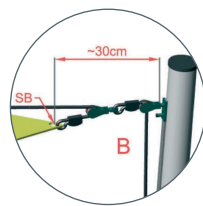
## TECHNICAL INFORMATION SOLIDAY M SYSTEM

### Alignment of the shaft AC: N (NW) - S (SO)

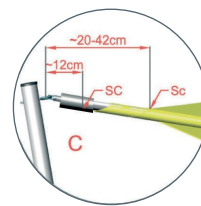
Depending on the circumstances there might be a gap of 60-90 cm between the wall and sunsail due to the concave cut of the sail itself.



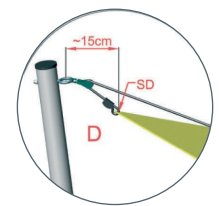
Point A



Point B



Point C



Point D

Aspect ratio AB : BC	Aspect ratio AD : CD
max 1 : 1,3 tension set excluded	max 1 : 1,3 tension set excluded

Size of the sail
60 - 65 m <sup>2</sup>

A tension set allows you to choose the aspect ratio as wished.

Side lengths AB, AD, CB, CD	Extension length XB, XD	Difference XB to XD
max 9 m	max 8 m	max ± 0,2 m

#### Exception:

On the side of a security clamp or winch the extension length is allowed to be longer.

Technical changes reserved.